

Easily operated by everyone with professional cutting quality.

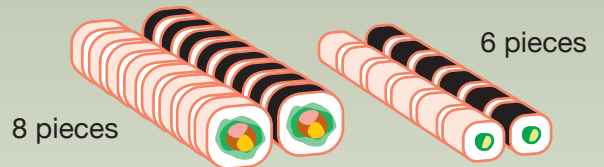
Improved the safety operation and manufacturing productivity !!



Automatic Roll Sushi Cutter SVC-ATC



- East setting of cutting frame with grip handle.
- Simple design for cutting blade replacement.
- Safety sensor for front cover.
- Maximum 60mm diameter roll can be cut.
- Easy setting of cutting table by applying of the magnet.



The Cutting blades for 8 pieces or 6 pieces are supplied as a standard accessory.



3 pieces of thin size roll can be set on cutting table: 1,650 rolls/hr.



4 pieces of thin size of Norimaki can be cut : 2,200 rolls/hr.



2 pcs, of medium size roll can be set on cutting table : 1,100 rolls/hr.



Automatic Roll Sushi Cutter SVC-ATC

Features

- Designed for safe and easy operation & maintenance.
- Additional cutting blade for 8 pieces or 6 pieces can be supplied as an optional accessory.
- Double hands type operation button.
- The machine can be disassembled and washed without any tools after work.
- Compact and lightweight design enables you to carry the machine wherever you wish.

Specifications

Model

SVC-ATC-CE (Applied to CE Regulation)

SVC-ATC-ET (Applied to ETL/cETL approval model)

Input

AC100-240V, 50/60 Hz, Single phase

Power consumption

140W

Power connection cable

2m (6.56feet)

Plug can be selectable among CE, BF, and UL type

Capacity

thin roll (25mm) : Approx. 2,200 rolls/hr. (4pcs.)

Approx. 1,650 rolls/hr. (3pcs.)

medium roll (35mm): Approx. 1,100 rolls/hr. (2pcs.)

thick roll (45-60mm): Approx. 550 rolls/hr. (1pc.)

Machine dimensions (in mm)

Width: 380mm

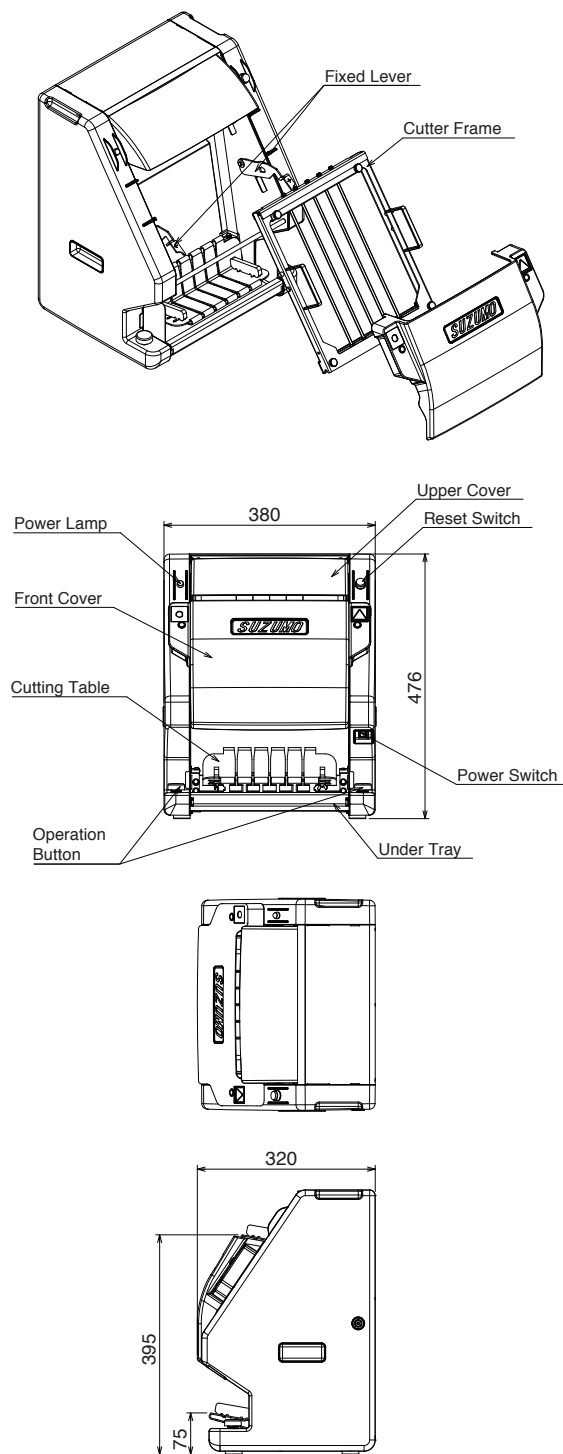
Depth: 320mm

Height: 476mm

Weight

Approx. 17Kg (include cutting table & flame)

Dimensions



* Please operate referring the instruction manual.

* The above operation speed are reference only. It is depend on operator's working speed.

* Design and specifications are subject to change without any notice.



Suzumo Machinery Co., Ltd.

Overseas Business Division

2-23-2, Toyotamakita, Nerima-ku,

Tokyo 176-0012, Japan

Tel. +81 3-3993-1407 Fax. +81 3-3993-1756

e-mail overseas@suzumo.co.jp

URL http://www.suzumokikou.com

< Contact in North America >

Suzumo International Corporation

1815 W. 205th Street, Suite 101

Torrance, CA 90501, U.S.A.

Tel. +1 310-328-0400

Fax. +1 310-328-2700

e-mail sic@suzumokikou.com